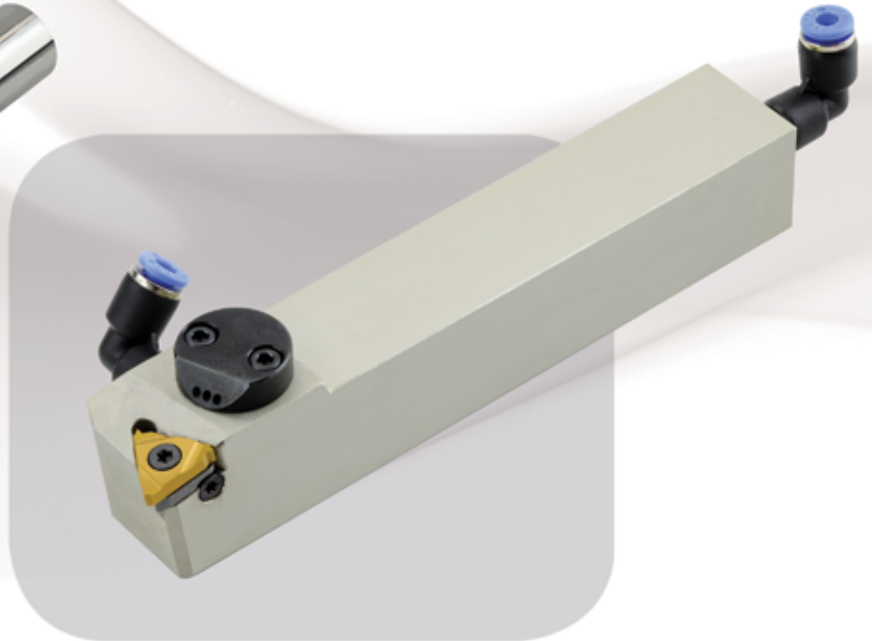
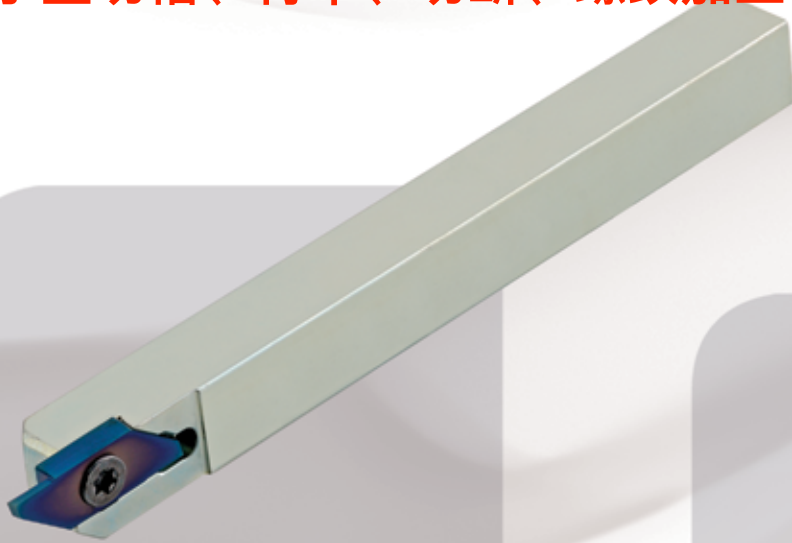


# NEWS 2015-16



瑞士小型切槽、背车、切断、螺纹加工和整体硬质合金小镗刀

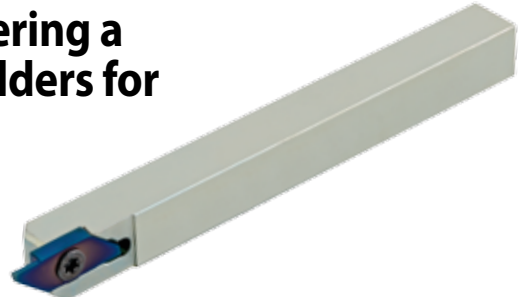


## Swiss-Line

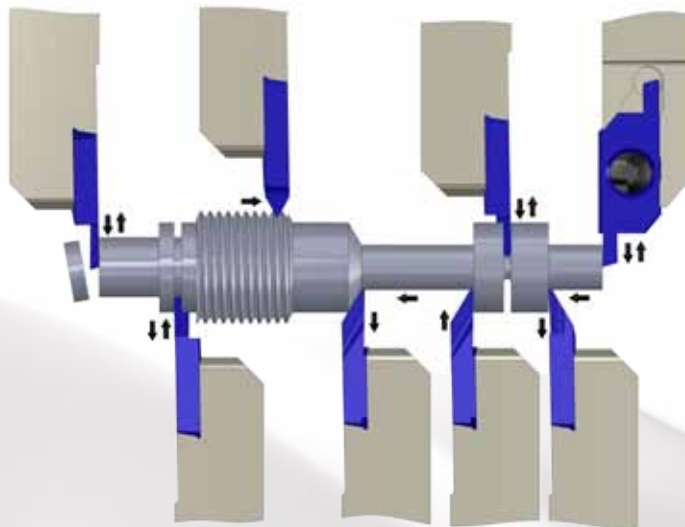
Carmex 延伸瑞士机床范围提供一个新型号，一种新的多类型刀片用于车削、切槽、切断、车螺纹在瑞士型机床和其它小型机床上。

### Carmex extends Swiss Line range by offering a new type of polygon inserts and tool holders for external turning, grooving, parting and threading on a Swiss-Type machines.

- High precision ground inserts. 高精密磨制刀片
- All inserts can be used with same tool holders. 全部刀片适用所有刀杆
- A combination of carbide and the latest developed coating, 一个新组合的硬质合金和最新发明的、改进型的涂层保证了最大的刀具寿命和提高生产效率。
- For a wide range of materials. 宽范围的金属材料加工
- Coated holders provides abrasive resistance. 涂层刀杆耐磨损



### Working method 加工分类

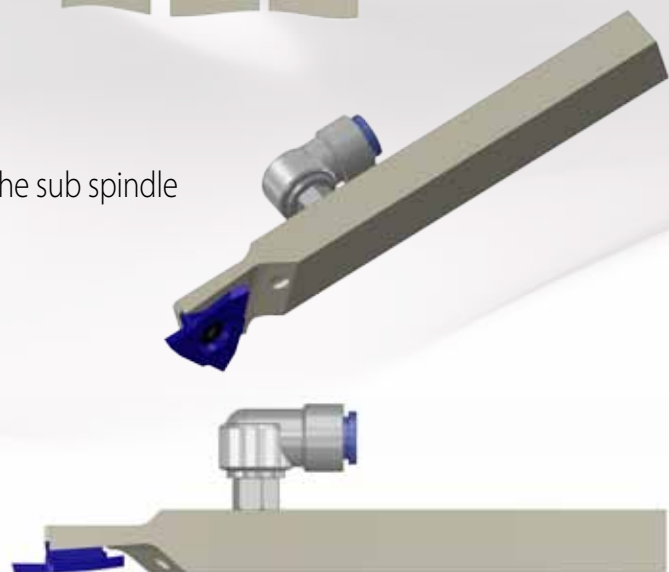


### Swiss-Line

Additional Slim tool holders for parting against the sub spindle  
Holders sizes (square): 针对不同刀杆方的规格

10x10 mm  
12x12 mm  
16x16 mm  
20x20 mm

New inch tool holders, sizes: 英制规格  
3/8", 1/2", 5/8" 3/4" and 1"



## External Thread Turning tool holder with internal coolant 外螺纹车刀杆带内冷供给

**Carmex has developed a unique external thread turning holder with internal coolant to the cutting edge. The holder includes two connecting options through an elbow fitting and a top clamp directing the coolant flow to the cutting edge.**

Carmex已经开发出一种独特的外螺纹车刀杆带内冷到切削刃  
刀杆包括2个弯头通过连接组合成一个顶部内冷通道将冷却液供应到切削刃

### The coolant flow provides:

- Better chip control, and chip flow.  
最佳的切屑控制和切屑流动
- Longer tool life and high performance.  
长刀具寿命和高效能
- Reduces the cutting edge temperature.  
降低切削刃温度
- Available RH and LH tool holders.  
备有右手和左手刀杆
- Coated holders provides abrasive resistance.  
涂层刀杆增加耐磨性



**CBR** Carmex最新引进CBR小镗杆,增进断屑。新产品将MTR镗孔和MPR仿形镗孔组合,用于镗孔和仿形加工,带改进切屑理。

**Carmex introducing new Tiny Tool CBR, with advance Chip Breaker. The new product is a combination of MTR and MPR for boring and profiling with improved chip evacuation.**

Chip evacuation is obtained thanks to advanced Chip Breaker and the internal coolant through the tool, pushing the chips out of the hole.

切屑通过改进的新屑槽型并通过刀杆的内冷排出孔外

Excellent Solution for machining stainless steels, super alloys and other "difficult" materials that creates curly chips around the tool and the application.

Can be used also as general purpose for a wide range of materials.

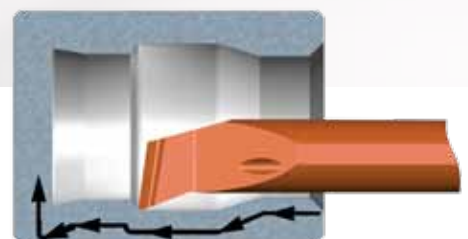
杰出的断屑用于加工不锈钢、超合金和别的困难的金属材料以及宽范围的金属材料。

### Carbide grade:

New advance carbide grade **TNX** for higher feeds and high performance, at medium to high cutting speed.

Extra fine grain size with high hardness and toughness combined with triple reddish coating, provides high edge stability and better chip flow.

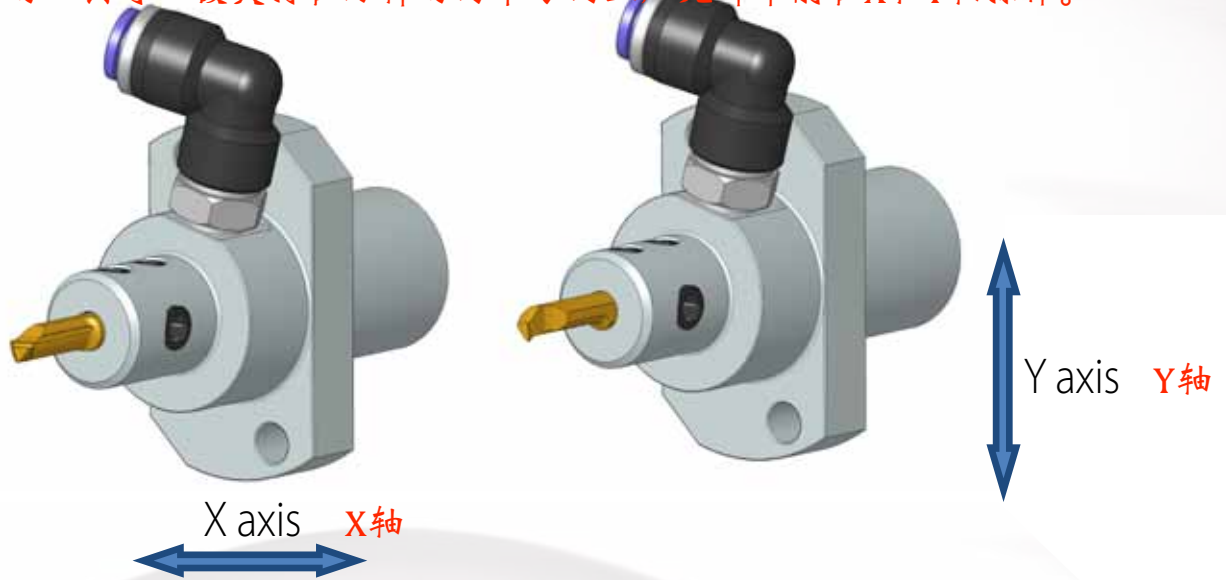
新改进的硬质合金TNX用于高进给和高效能,中到高的切削速度。特细级高硬和韧性组合,三层淡红色涂层,达到切削刃高稳定性和最佳切屑流动。



# New Tiny Tool holder 新的微小刀杆

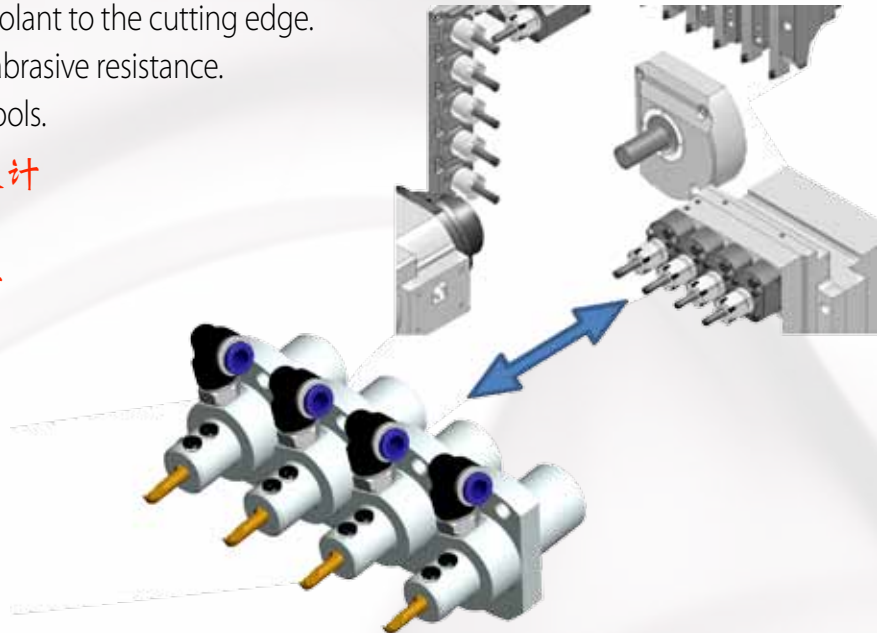
Carmex has developed a unique external turning holder for back operation on a CNC Swiss type machines sliding head. The Tiny Tool can be gripped in the holder in two directions, allows a turning operation on X and Y axis.

Carmex已经开发出一种独特的外车刀杆用于后操作在瑞士型数控机床的滑动头。微小的工具可以被夹持在刀杆的两个方向上，允许车削在X和Y轴操作。



- Designed with internal coolant to the cutting edge.
- Coated holders provides abrasive resistance.
- Fits to the standard Tiny Tools.

带内冷送到刀尖的设计  
涂层的刀杆耐磨损  
首选的标准微小刀杆



**Carmex**  
Precision Tools Ltd.

1st Hacharoshet St., Maalot Industrial Zone  
2101302, ISRAEL  
Tel: (972) 4-9077400, Fax: (972) 4-9077440.  
E-mail: info@carmex.com  
Website: www.carmex.com  
Postal address: P.O. Box 404, Maalot 2101302, ISRAEL.